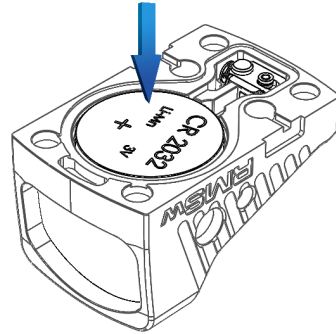
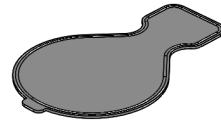




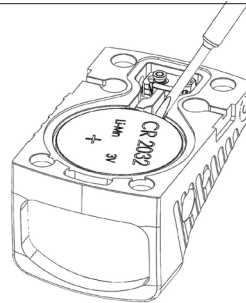
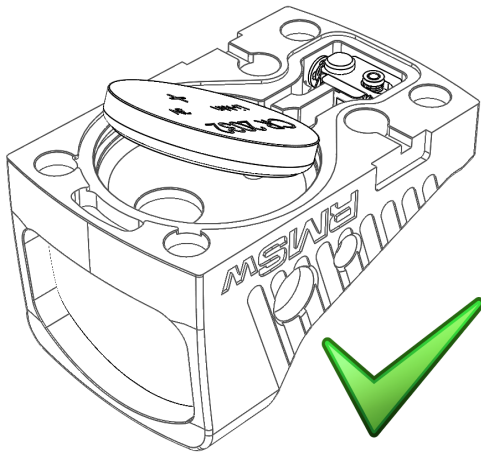
RMSW INSTRUCTIONS Quick Guide

IMPORTANT!!
PLEASE ENSURE ALL FIREARMS ARE CLEAR AND
SAFE BEFORE CONTINUING

Fit base seal & fit to pistol whilst still inverted.



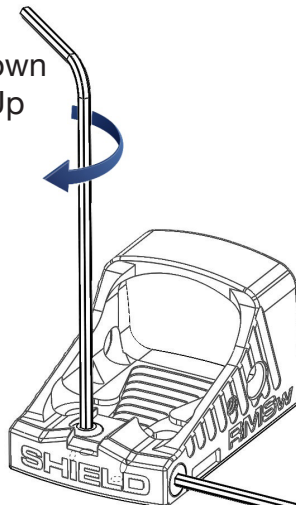
Battery in as shown, against contact first



When removing the battery, always lever against the body not the terminals.

Elevation Adjustment:

Clockwise rotation = Group Down
Dot Up



Windage Adjustment:

Clockwise rotation = Group Left
Dot Right



ENSURE THAT YOU KEEP TOOLS SAFE FOR FUTURE USE



RMSw INSTRUCTIONS

Accessories:

- Minidial with 1.5 Hex Wrench (*for zeroing*)
- Battery Removal Tool.
- Waterproof gasket
- CR2032 Battery
- RMSw Cover
- 1° shim
- 2.5 Hex Wrench for mounting screws
- 2 x Button head M4x8mm screws
- 2 x Button head M4x10mm screws

General Care:

The lens has an anti-reflective coating. The lens may show some minor distortion if examined under intense scrutiny such as holding the sight up to a light and focusing on the lens.

When you are actually shooting, the eye never focuses on the lens, so this distortion is not noticeable under live fire conditions. This sight contains an upgraded glass coated polymer lens that is more scratch resistant than the previous models. Even with this upgraded lens, care must still be taken to avoid permanent damage.

Be sure to blow away any debris before initiating the cleaning process and, when not in use, protect with sight cover.



For instructional videos on mounting, lens cleaning and changing the battery please visit our YouTube channel or our website.

www.youtube.com/c/ShieldSights

IMPORTANT NOTICE TO PURCHASER

The following is made in lieu-of all warranties, expressed or implied, including the implied warranties of merchantability and fitness for purpose: Seller's and manufacturers only obligation shall be to replace such elements of the product proved to be defective. Before using, user shall determine the suitability of the product for its intended use, and user assumes all risk and liability whatsoever in connection there with.

NEITHER SELLER NOR MANUFACTURER SHALL BE LIABLE EITHER IN TORT OR IN CONTRACT FOR ANY LOSS OR DAMAGE, DIRECT, INCIDENTAL, OR CONSEQUENTIAL, ARISING OUT OF THE USE OR THE INABILITY TO USE THE PRODUCT.



Products designed and manufactured by Shield carry a Limited Lifetime warranty on materials and workmanship.

For more details on SHIELD's warranty please see our website www.shieldsights.com/warranty

IMPORTANT!! PLEASE ENSURE ALL FIREARMS ARE CLEAR AND SAFE BEFORE CONTINUING

Fitting and removal of the base seal:

To fit the RMSw turn the RMSw upside down so that the waterproof gasket can be put in place and then marry to the mount. Once the sight is on the mount the firearm can be carefully turned over (whilst maintaining pressure) and screws fitted to secure the sight. Always apply a small dab of medium strength thread-locker to secure screws in place. For removal of screws please refer to the thread-locker manufactures advice.

To remove the seal simply remove the sight from the firearm after taking all precaution to clear the firearm and make safe. Once the sight is off the firearm ensure that all residue and water is removed from the underside of the body, you will then simply need to lift the tag to remove the seal and expose the battery.

Fitting and removal of the battery:

Place the battery down against the contacts before applying some pressure to push the battery down under the front lens. To remove the battery simply lever the battery out at the opening above the negative contact being careful not to apply any pressure to the contact and use only the body for leverage.

Zeroing the RMSw:

When zeroing the RMSw attention and care must be paid to the feel of the mechanism. The RMSw is a small, precision built piece of equipment and could be damaged if not handled correctly. There is no need to use anything other than our provided tool. If a screwdriver with a handle is used the torque that can be applied could cause damage without the user noticing.

The mechanism is designed to allow movement in only the elevation & windage and to stop any unwanted movement throughout its life that would result in zero shift.

DO NOT FORCE ADJUSTMENT, in either direction, once resistance is felt as this will damage the sight and void the warranty.

Elevation:

Turning the elevation screw **Clockwise** will move the dot **UP**, this will move the shot (group) **DOWN**.

Turning the elevation screw **Anticlockwise** will move the dot **DOWN**, this will move the shot (group) **UP**.

The 1 degree shim is provided to give extra range of elevation across a wide range of firearms (such as the 1911). Should you feel any resistance from the mechanism whilst zeroing the elevation please fit the shim between the sight and the mount with the thickest part at the rear.

Windage:

Turning the windage screw **Clockwise** will move the dot to the **RIGHT**, this will move the shot (group) to the **LEFT**.

Turning the windage screw **Anticlockwise** will move the dot to the **LEFT**, this will move the shot (group) to the **RIGHT**.