



AMS INSTRUCTIONS QUICK GUIDE

IMPORTANT!!
PLEASE ENSURE ALL FIREARMS ARE CLEAR AND
SAFE BEFORE CONTINUING

Changing the Reticle on the AMS-MR Version

Tap both the and buttons together to enter reticle change mode. The reticle will begin flashing to indicate that its in selection mode. You can now cycle between the reticle options by pressing the or buttons.



When you find the reticle you wish to choose, tap both buttons together again or wait 5 seconds for the reticle to stop flashing.

Switching On

Press and hold the to switch to on at the medium Automatic setting.

or

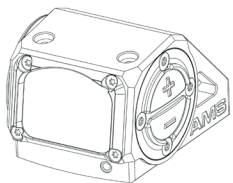
Press and hold the to switch on a last brightness setting used.

Switching Off

A long press of both buttons together in auto or manual will switch the sight off. Your current setting will be saved and can be reactivated by switching on with the minus button.

Auto Brightness Adjustment

Use the and buttons to adjust between the 3 automatic brightness settings. HIGH, MEDIUM & LOW.



Manual Brightness Adjustment

Press and hold for 1 second to go into level 12 manual from auto

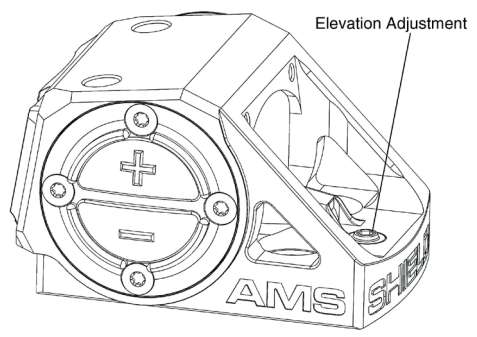
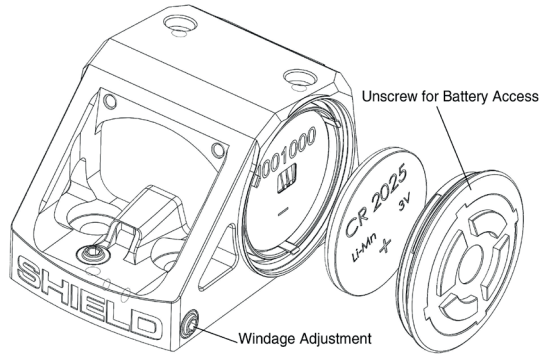


Press and hold for 1 second to go into level 4 manual from auto

Once in manual mode you can use + and - to adjust to your needs. Tap both buttons at once to return to auto brightness mode.

Windage Adjustment:
Clockwise rotation = Group Left
Dot Right

Elevation Adjustment:
Clockwise rotation = Group Down
Dot Up



ENSURE THAT YOU KEEP TOOLS SAFE FOR FUTURE USE



AMS INSTRUCTIONS

Accessories:
Included in pack

SHIELD AMS Sight
Minidial with 1.5 Hex Wrench (*for zeroing*)
2025, 2032 & 2050 Battery Cap Covers
Battery Removal Tool.
CR2032 Battery
AMS Cover
1" shim
2.5 Hex Wrench for mounting screws
2 x Button head M4x8mm screws
2 x Button head M4x10mm screws

General Care:

Battery Fitting: The AMS Sight uses a 3V Lithium battery type CR 2032 which under average use can last 1 to 2 years. Replacement is required when the intensity of the dot appears greatly diminished against a bright background.

Warranty - SHIELD Products

Products designed and manufactured by SHIELD carry a Limited Lifetime warranty on materials and workmanship.

For more details on SHIELD's warranty please see our website www.shieldsights.com/warranty



IMPORTANT NOTICE TO PURCHASER

The following is made in lieu-of all warranties, expressed or implied, including the implied warranties of merchantability and fitness for purpose: Seller's and manufacturers only obligation shall be to replace such elements of the product proved to be defective. Before using, user shall determine the suitability of the product for its intended use, and user assumes all risk and liability whatsoever in connection there with.

NEITHER SELLER NOR MANUFACTURER SHALL BE LIABLE EITHER IN TORT OR IN CONTRACT FOR ANY LOSS OR DAMAGE, DIRECT, INCIDENTAL, OR CONSEQUENTIAL, ARISING OUT OF THE USE OR THE INABILITY TO USE THE PRODUCT.



For instructional videos on mounting, lens cleaning and changing the battery please visit our YouTube channel or our website.
www.youtube.com/c/ShieldSights

IMPORTANT!!

PLEASE ENSURE ALL FIREARMS ARE CLEAR AND SAFE BEFORE CONTINUING

Adjustment and Zeroing

Treat all guns as if they are always loaded.
Never let the muzzle point at anything that you are not willing to destroy.
Keep your finger off the trigger until your sights are on target and you have made the decision to shoot.
Be sure of your target and what is behind it.

THE DOT IS ALWAYS ADJUSTED TOWARDS THE POINT OF IMPACT

Adjustment can be made to the windage and elevation screw using the Hex Wrench provided.

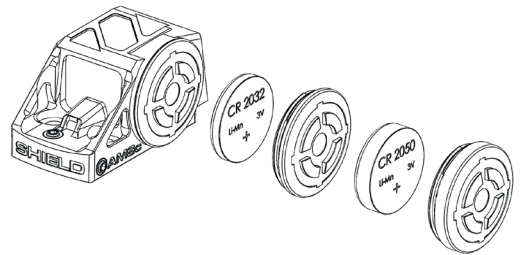
Move dot right by clockwise rotation of the windage adjustment screw, move dot left by counterclockwise rotation of same screw.
Move dot up by clockwise rotation of the elevation adjustment screw, move dot down by anticlockwise rotation of same screw.

DO NOT force adjustment in either direction. Once resistance is felt please stop as failure to do so will damage the body.
Remember - Always move dot towards the point of impact, if a grouping is high and right of the target, move the dot up and to the right to cover the position of the group.

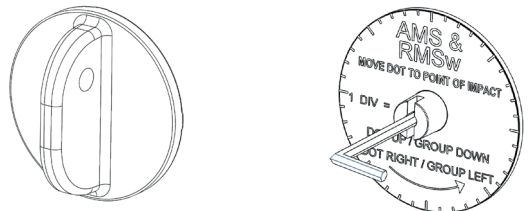
AMS Materials

Body: Aerospace grade hard anodised Aluminium
Accessories: Snap on Cover, which protects the optic and prolongs battery life in day light

Technical data: Weight with battery - 1.36oz (39.01g) Size of Sight with 2032 battery and cap (Length x width x height 42 x 34 x 26 mm 1.65" x 1.35" x 1" inch
Temperature range- 40 to +70 degrees centigrade.



Swap Battery Cap based on required battery size.



Use tool provided for easy removal and fitting of battery cap.

Insert Hex wrench in to mini dial for accurate windage and elevation adjustment.